

HEICC-2301T

www.asia.security.honeywell.com

1080P HIGH DEFINITION TDN IP EXPLOSION-PROOF CAMERA

Honeywell HEICC-2301T is an IP explosion-proof fixed camera featuring superior 1080P high definition image quality and True Day/Night functions. Complied with international explosion protected equipment standards ATEX*, and rated IP68 waterproof standard, this advanced IP camera is designed for installation in potentially explosive atmospheres, such as petrochemical fields, oil refineries, LNG facilities and so forth.

The HEICC-2301T delivers high definition images of 1080p (1920 x 1080) resolution at up to 30 frames per second. The True Day/Night function with an IR-cut filter guarantees superior image quality at both bright and dim conditions. By applying the H.264 video compression technology, the HEICC-2301T streams high quality images at optimized bandwidth which reduce data volume effectively to save storage space.

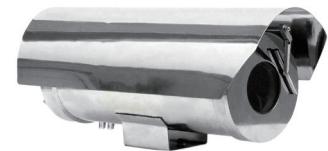
The viewing window is made of filming tempered glass with an integrated wiper to ensure clear and detailed images can be captured any time even in hazardous locations.

Market Opportunities

Assembled with a rigid enclosure, the HEICC-2301T delivers a high-definition 1080P video surveillance solution for security applications used in potentially explosive atmospheres. Also featuring 1080P resolution, True Day/Night, H.264 compression and ONVIF standard, the HEICC-2301T provides optimum surveillance performance in oil refineries, chemical plants, coal mines and so on.

FEATURES

- 1080P resolution at up to 30 fps
- True Day/Night with IR-cut filter
- ATEX II 2 GD; Exd IIC T6 Gb, Ex t IIIC T80°C Db
- Stainless steel 304; Waterproof IP68 rating
- Multiple H.264 streams and MJPEG streams ensure simultaneous real-time monitoring and high resolution recording
- H.264 main profile helps save network bandwidth and storage resources
- Motion detection (4 zones); Privacy masking (4 zones)
- Built-in wiper on the lens cover to remove condensed water
- Built-in heater to prevent condensation
- IP platform: Honeywell Universal Surveillance (HUS)
- ONVIF compliance



Driving IP-based physical security through global standardization

HEICC-2301T

www.asia.security.honeywell.com

1080P HIGH DEFINITION TDN IP EXPLOSION-PROOF CAMERA

SPECIFICATIONS

Video	
Image Sensor	1/3" Progressive Scan CMOS
Effective Pixels	1920 (H) x 1080 (V)
Lens	12mm / 16mm / 25mm / 35mm / 5 - 50mm vari-focal
Min. Illumination	0.1lx (Color); 0.001lx (B/W)
Day/Night	TDN
S/N Ratio	≥50dB
Shutter Speed	1/25 – 1/100000 sec, slow shutter 1/2, 1/4, 1/8, 1/12
Digital Noise Reduction	ON/OFF
OSD Overlay	Name / date / stream information; Position adjustable
Video Standard	NTSC, PAL
Privacy Masking	4 zones (configurable in size)
Automatic Lens Control	DC Iris
Gain Control	Auto/Manual
White Balance	ATW
IP Specification	
Video Compression	H.264 Main Profile and Motion JPEG simultaneously
Image Resolution	Main stream: 1920x1080 @ 25/30fps; Extra stream: 640x480, 320x240, 160x112 @ 25/30fps
Supported Protocol	TCP/IP, UDP, RTP, RTSP, RTCP, HTTP, DNS, DDNS, DHCP, FTP, NTP, PPPOE, SMTP, UPNP
Security	Password protection, IP address filtering, User access log
User	2 simultaneous users
Communication Protocol	ONVIF
Alarm	
Alarm Trigger	Intelligent video motion detection and external input
Motion Detection	4 zones
Alarm Event	Event server: FTP server, SMTP server, Web browser
Electrical	
Power Supply	24V AC, ±25%
Power Consumption	30W max
Mechanical	
Dimensions	430mm(L)×174mm(W)×205mm(H)
Weight	9kg
Viewing Window	High intensity filming tempered glass
Construction	Stainless steel 304

HEICC-2301T

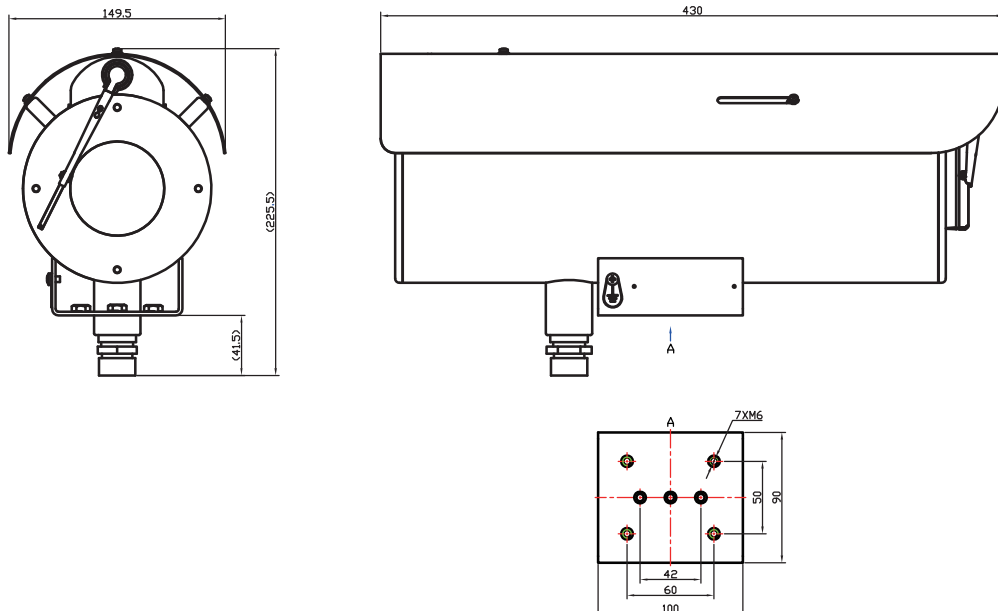
www.asia.security.honeywell.com

1080P HIGH DEFINITION TDN IP EXPLOSION-PROOF CAMERA

SPECIFICATIONS

Environmental	
Operating Temperature	-40°C~60°C
Protection Class	IP68 waterproof
Viewing System	
Browser	IE 6.0 or above
Media Player	VLC, Quick Time, Real Player
Software	
Operating Platform	Honeywell HUS Platform 4.1 or above
Regulatory	
Certification	ATEX II 2 GD; Exd IIC T6 Gb, Ex t IIIC T80°C Db

DIMENSIONS



HEICC-2301T

www.asia.security.honeywell.com

1080P HIGH DEFINITION TDN IP EXPLOSION-PROOF CAMERA

ORDERING

HEICC-2301T-12	1080P Explosion-proof Fixed Camera, IP68, True Day/Night, ONVIF, 12mm Lens
HEICC-2301T-16	1080P Explosion-proof Fixed Camera, IP68, True Day/Night, ONVIF, 16mm Lens
HEICC-2301T-25	1080P Explosion-proof Fixed Camera, IP68, True Day/Night, ONVIF, 25mm Lens
HEICC-2301T-35	1080P Explosion-proof Fixed Camera, IP68, True Day/Night, ONVIF, 35mm Lens
HEICC-2301T-5V50	1080P Explosion-proof Fixed Camera, IP68, True Day/Night, ONVIF, 5-50mm Vari-focal Lens

For more information:

Security Asia Pacific Headquarters
Security Australia
Security China
Security Hong Kong
Security India

Tel: (86) 21 2219 6888
Tel: (61) 2 8837 9333
Tel: (86) 21 2219 6888
Tel: (852) 2405 2323
Tel: (91) 124 497 5000

Security Indonesia Tel: (62 21) 536 52322
Security Korea Tel: (82) 2 799 6114
Security Singapore Tel: (65) 6355 2828
Security Taiwan Tel: (886) 2 2245 1000
Security Thailand Tel: (66) 2 693 3099

www.asia.security.honeywell.com
security.ap@honeywell.com

Honeywell Security & Data Collection
Automation & Control Solutions
Honeywell International Inc.
www.security.honeywell.com

Apr 2013
© 2013 Honeywell International Inc.

